

Material			
No.	Plan	Article	Number
1	YC00337	1C150	1
2	XC00217	3994013(PP)	1
	XC00215	3994015(PU)	1
3	YC00339	1C151	1
4	YC00340	1C152	1
5	XC00690	3993129	1
6	XC00691	3993128	1
7	XC00216	3994014	1
8	---	3992894	2
8B	ADJUST	1916214	2
9	---	3994484	2
9B	ADJUST	1916213	2
10	YC00338	1C153	1
11	---	1001583	4
12	---	3992301	8
13	---	3992887(For PP back)	4
	---	1995309(For PU back)	4
14	---	3992218	4
15	---	3992890	2
16	---	3992956	4
17	XC00226	3994004	1
18	XC00227	3994003	1
19	XC00228	3994002	1
20	XC00235	3993177	2
21	YC00350	1C255	1
22	---	3993294	1
23	---	3993295	2
24	---	3994719	4

EC00425/H

PLUO STANDARD				Plan No.
				EC00425/H
SHEET 1/2				
Scale:1:10	Drafted	Verified	Confirmed	
Date	30/05/2019	24/08/2023	24/08/2023	
Init.	NY	FZY	JJQ	

Option 1.

PLUO With RS3 Version			
No.	Plan	Article	Quantity
1	XC00225	3994005	2
2	---	3991735	4
3	XC00682	3992908	1
4	XP00113	GP00900	1
5	P00062778	1920299	1

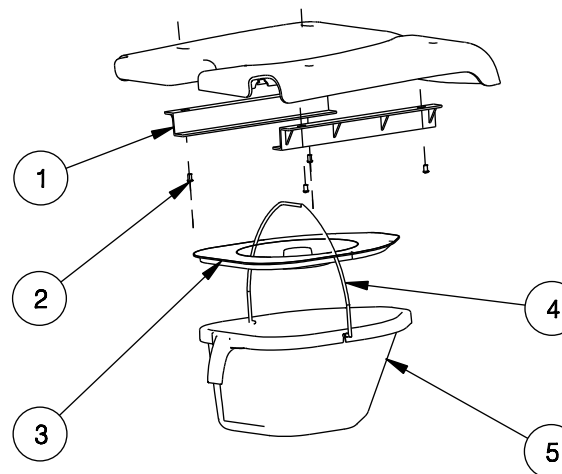
Option 2.

PLUO With HA Version			
No.	Plan	Article	Quantity
1	---	1916213	2
2	---	1916214	2
3	---	3992894	-2
4	---	3992893	-2

Option 3.

PLUO With 4B Version			
No.	Plan	Article	Quantity
1	---	3992894	-2
2	---	3992893	+2

Option1: RS3 Version



PLUO STANDARD				SHEET 2/2	Plan No. EC00425/H
Scale: 3:50	Drafted	Verified	Confirmed		
Date	29/10/2019	24/08/2023	24/08/2023		
Initials	AL	FZY	JJQ		