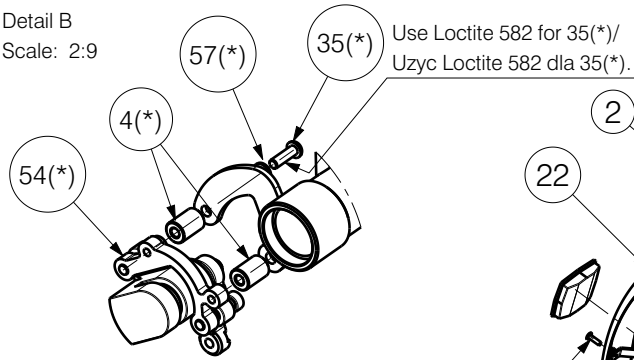
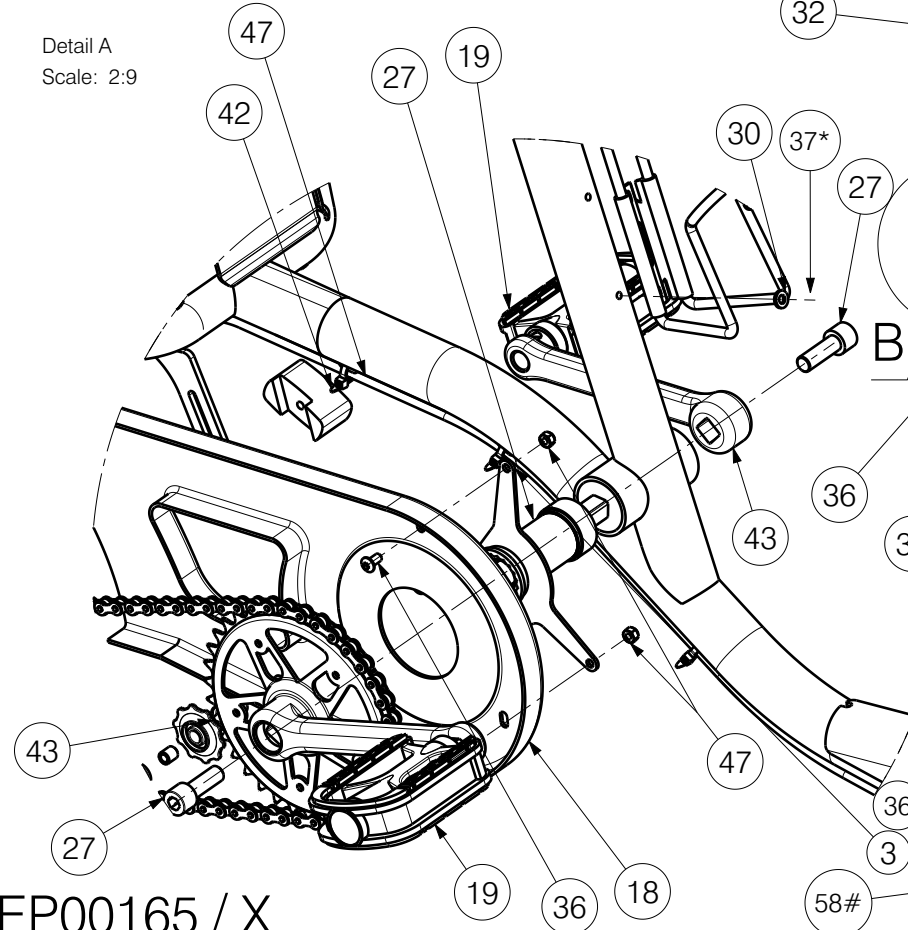


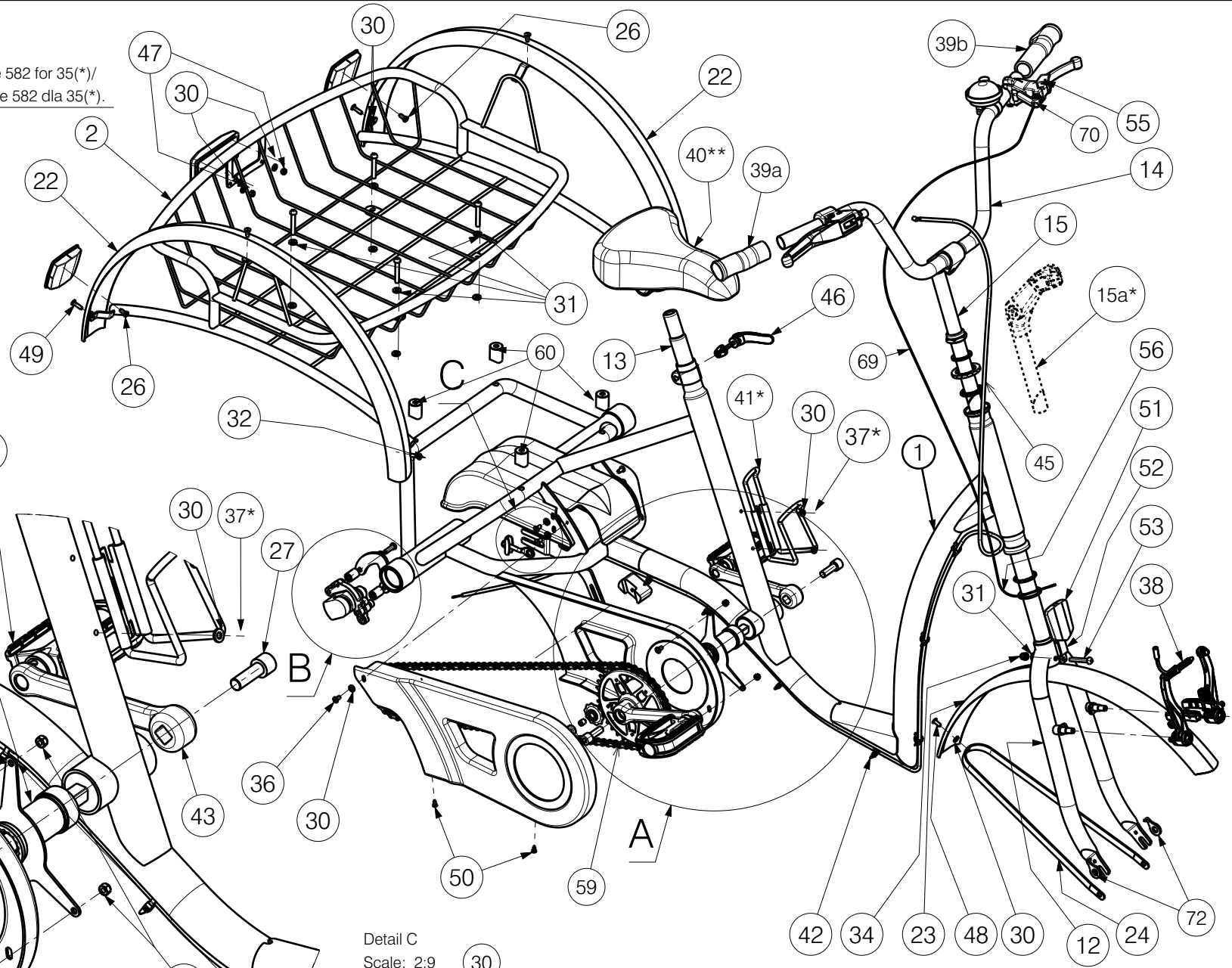
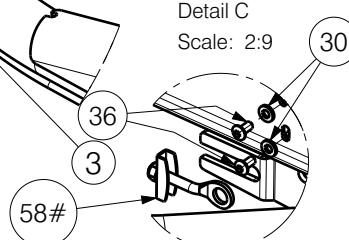
Detail B
Scale: 2:9



Detail A
Scale: 2:9



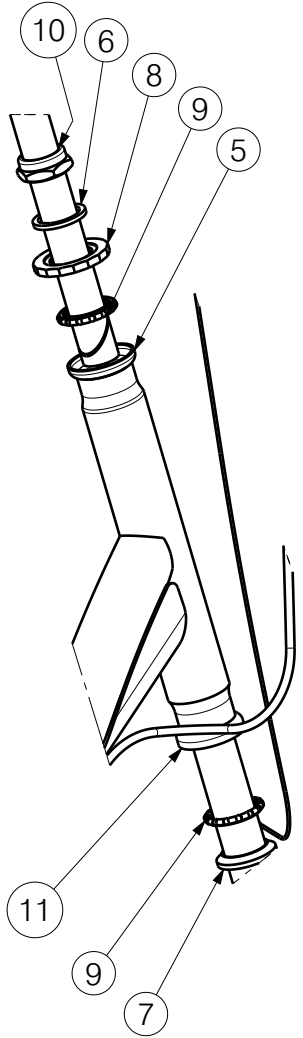
Detail C
Scale: 2:9



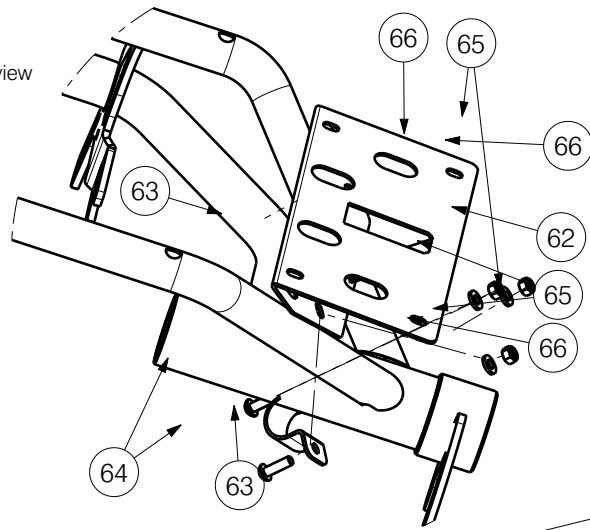
EP00165 / X

MAIN FRAME 2219				Plan No.
				1/4 EP00165/ X
Scale: 1:9	Drafted	Verified	Confirmed	
Date	19/05/2014	22/05/2024	22/05/2024	
Initials	AZ	GB	AZ	

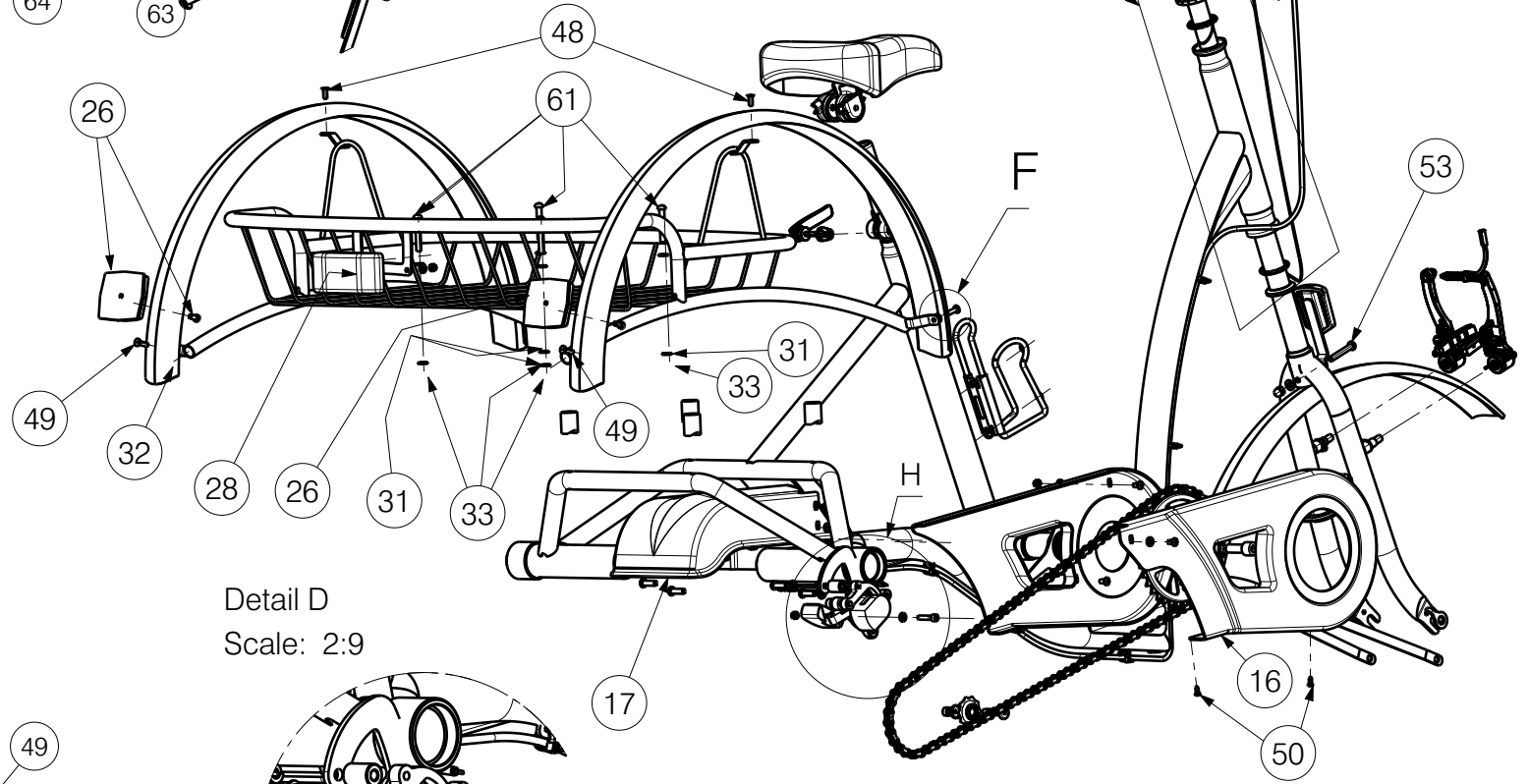
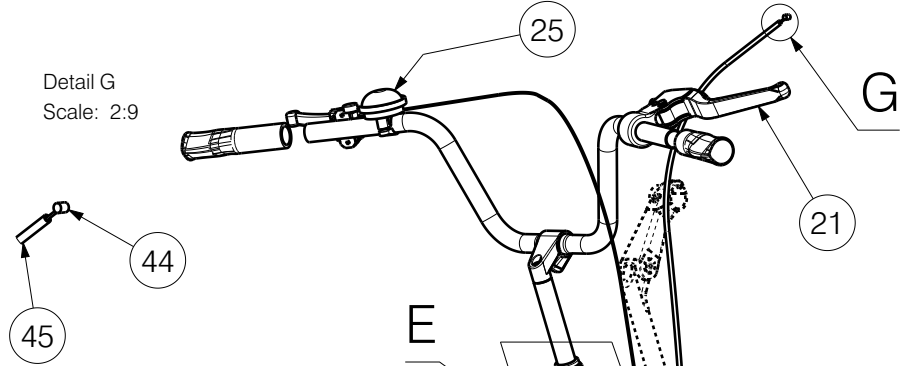
Detail E
Scale: 2:9



Isometric view
Scale: 1:4

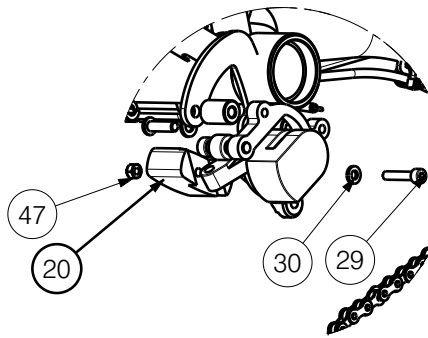
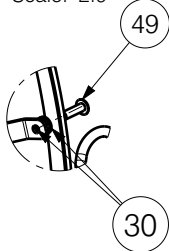


Detail G
Scale: 2:9



Detail D
Scale: 2:9

Detail F
Scale: 2:9



EP00165 / X

MAIN FRAME 2219				Plan No.
				2/4 EP00165 / X
Scale: 1:9	Drafted	Verified	Confirmed	
Date	19/05/2014	22/05/2024	22/05/2024	
Initials	AZ	GB	AZ	

Material				Material				Material (Electric version)																																							
No.	Plan	Article	Quantity	No.	Plan	Article	Quantity	No.	Plan	Article	Quantity																																				
1	YP04174DP	28494...	1	36	M5x10	1007063	8	* 62	YP05043	2898454	1																																				
2	YP04704	28724...	1	37*	M5x6	1997822	2	* 63	YP05045	2898554	2																																				
3	YP04801	2889104	1	38	XP01281	2992201	1	* 64	M5x16	1006112	4																																				
4(*)	XP03125	GP00285	2	39a	XP01394	2992260	1	* 65	M5/DIN985	1001679	4																																				
5	X000905	1001384	1	39b	XP01393	2992261	1	* 66	D10xD5.3x1	1001550	4																																				
6	X000901	1001388	1	40**	XP01279	2992204	1	* 67***	7 Pin Motor	1915033	1																																				
7	X000906	1001382	1		XP01280	2992205	1	* 68***	7 Pin Cable	1915034	1																																				
8	X000907	1001387	1	41*	---	2992292	1	69	---	2993049	****																																				
9	X000993	1001386	2	42	---	W620150	7	70	---	1900008	1																																				
10	X004610	1998556	1	43	---	1009279	1	71***	---	U000331	1																																				
11	X004614	1904939	1	43a* (***)	P00041476 (F5)	2656504	1	72	YP09446	2649700	2																																				
12	XP01104	28669...	1	43a* (***)	P00041477 (F5)	2656604	1	Set E000597 1001020 <table border="1"> <thead> <tr> <th colspan="4">Material</th> </tr> <tr> <th>No.</th> <th>Plan</th> <th>Article</th> <th>Quantity</th> </tr> </thead> <tbody> <tr> <td>5</td> <td>X000905</td> <td>1001388</td> <td>1</td> </tr> <tr> <td>6</td> <td>X000901</td> <td>1001384</td> <td>1</td> </tr> <tr> <td>7</td> <td>X000906</td> <td>1001382</td> <td>1</td> </tr> <tr> <td>8</td> <td>X000907</td> <td>1001386</td> <td>2</td> </tr> <tr> <td>9</td> <td>X000993</td> <td>1001387</td> <td>1</td> </tr> <tr> <td>10</td> <td>X004610</td> <td>1998556</td> <td>1</td> </tr> <tr> <td>11</td> <td>X004614</td> <td>1904939</td> <td>1</td> </tr> </tbody> </table>				Material				No.	Plan	Article	Quantity	5	X000905	1001388	1	6	X000901	1001384	1	7	X000906	1001382	1	8	X000907	1001386	2	9	X000993	1001387	1	10	X004610	1998556	1	11	X004614	1904939	1
Material																																															
No.	Plan	Article	Quantity																																												
5	X000905	1001388	1																																												
6	X000901	1001384	1																																												
7	X000906	1001382	1																																												
8	X000907	1001386	2																																												
9	X000993	1001387	1																																												
10	X004610	1998556	1																																												
11	X004614	1904939	1																																												
13	XP01465	2707100	1	44	---	1000899	1																																								
14	XP01168	2992651	1	45	---	2998322	1																																								
15	XP01190	2992217	1	46	---	1992400	1																																								
15a*	XP01191	2992218	1	47	M5/DIN985	1001679	6																																								
16	XP01205	2992664	1	48	4.8x12	1001585	3																																								
17	XP01204	2992663	1	49	4.8x17	1001586	4																																								
18	XP01206	2992665	1	50	3.9x9,5/DIN 798	1001530	2																																								
19	XP01243	2992258	1	51	---	1001000	1																																								
20	XP01461	2993148	1	52	---	F006075	1																																								
21	XP01264	2992254	1	53	M6x40	1006111	1																																								
22	---	H5516...	2	54(*)	XP01178	2992381	1																																								
23	---	H5517...	1	55	XP01426	2993114	1																																								
24	---	H5523...	1	56	---	1004094	****																																								
25	---	1000989	1	57(*)	M6/DIN127B	1004414	2																																								
26	---	1000999	2	58#	XP01326	2992937	2																																								
27	---	1001021	1	59	---	2993196	1																																								
28	---	1001083	1	60	XP01336	2992972	4																																								
29	M5x35	2990115	1	61	M6x60	1992915	4																																								
30	D5.3/DIN125	1001550	19	<div style="display: flex; justify-content: space-between; align-items: center;"> <div style="font-size: 2em; font-weight: bold;">EP00165 / X</div> <div style="text-align: right;"> <table border="1" style="margin-left: auto;"> <tr> <td colspan="4" style="text-align: center; padding: 5px;">MAIN FRAME 2219</td> <td style="text-align: right; padding: 5px;">Plan No.</td> </tr> <tr> <td colspan="4" style="text-align: right; padding: 5px;">3/4</td> <td style="text-align: right; padding: 5px;">EP00165/ X</td> </tr> <tr> <td style="padding: 5px;">Scale: 1:9</td> <td style="padding: 5px;">Drafted</td> <td style="padding: 5px;">Verified</td> <td style="padding: 5px;">Confirmed</td> <td rowspan="3" style="text-align: center; vertical-align: middle;"> </td> </tr> <tr> <td style="padding: 5px;">Date</td> <td style="padding: 5px;">19/05/2014</td> <td style="padding: 5px;">22/05/2024</td> <td style="padding: 5px;">22/05/2024</td> </tr> <tr> <td style="padding: 5px;">Initials</td> <td style="padding: 5px;">AZ</td> <td style="padding: 5px;">GB</td> <td style="padding: 5px;">AZ</td> </tr> </table> </div> </div>								MAIN FRAME 2219				Plan No.	3/4				EP00165/ X	Scale: 1:9	Drafted	Verified	Confirmed		Date	19/05/2014	22/05/2024	22/05/2024	Initials	AZ	GB	AZ													
MAIN FRAME 2219												Plan No.																																			
3/4												EP00165/ X																																			
Scale: 1:9	Drafted	Verified	Confirmed																																												
Date	19/05/2014	22/05/2024	22/05/2024																																												
Initials	AZ	GB	AZ																																												
31	D6.4/DIN125	1001564	9																																												
32	D16	1001598	4																																												
33	M6/DIN985	1001680	4																																												
34	M6/DIN986	1008492	1																																												
35(*)	M6x20	1006999	2																																												

* Option
** Chosen by the customer
*** Not depicted
(*) Free-Fix-Wheel | standart
Torpedo-Nexus 3-7 | option
Use only with Torpedo, Nexus 3-7

EP00165 / X

MAIN FRAME 2219				Plan No.
3/4				EP00165/ X
Scale: 1:9	Drafted	Verified	Confirmed	
Date	19/05/2014	22/05/2024	22/05/2024	
Initials	AZ	GB	AZ	


Model /Model		1,2 - Frame (Rama)	22,23 - Mudguards (Blotniki)	24 - Mudguards Holder (Uchwyt blotnika)	12 - Forks (Widelki)	40 - Saddle (Siodla)	14 - Handlebar (Kierownica)	Set Stickers (Zestaw Naklejek)	13 - Saddle support (Wspornik siodla)	15 - Handlebar support (Wspornik kierownicy)
2219	Lagoon (Bordeaux)	2849473 2872404	H551606 H551706	H552306	2866906	**2992204 or/lub **2992205 / *1918999(E18)	2992651 or/lub *2992660 or/lub *2992654 or/lub *EP00188	2992941 1 pcs/1 szt.	2992151 or/lub *2992274 / *1919000(E18)	2992217 or/lub *2992218
	Lagoon (Grey)	2849483 2872404	H551608 H551708	H552308	2866908	**2992204 or/lub **2992205 / *1918999(E18)	2992651 or/lub *2992660 or/lub *2992654 or/lub *EP00188	2992942 1 pcs/1 szt.	2992151 or/lub *2992274 / *1919000(E18)	2992217 or/lub *2992218
	Vintage (Brown-Retro)	2849438 2872438	H551636 H551736	H552336	2866936	1907963 / *1918999(E18)	2992660 or/lub *2992651 or/lub *2992654 or/lub *EP00188	2992304 1 pcs/1 szt.	2992151 or/lub *2992274 / *1919000(E18)	2992217 or/lub *2992218

Model /Model		19 - Pedals (Pedaly rowerowe)	25 - Bell (Dzwonek)	39 - Hand grip (chwyt kier.) ***	Lighting system (Oswietlenie) ***	Mirror (Lusterko) ***	Basket (Kosz) ***	Speedometer (Licznik) ***	Pushing handle (Raczka) ***
2219	Lagoon (Bordeaux)	2992258 or/lub *1000895 or/lub *2992280	1000989	2992262 1 set/1 kpl.	*2992289 1 pcs/1szt.	*2992256 1 pcs/1szt.	*1009221 (E19L) 1 pcs / 1sz.t	*1003029 1 pcs/1szt.	*EP00175
	Lagoon (Grey)	2992258 or/lub *1000895 or/lub *2992280	1000989	2992262 1 set/1 kpl.	*2992289 1 pcs/1szt.	*2992256 1 pcs/1szt.	*1009221 (E19L) 1 pcs / 1sz.t	*1003029 1 pcs/1szt.	*EP00175
	Vintage (Brown-Retro)	1001013 or/lub *1000895 or/lub *2992280	***2992265	2992358 or/lub 2992359 1pcs/1szt.	*2992289 1 pcs/1szt.	*2992256 1 pcs/1szt.	1907962 1 pcs/1 szt.	*1003029 1 pcs/1szt.	*EP00175

- * Option
- ** Chosen by the customer
- *** Not depicted
- (*) Free-Fix-Wheel | standart
- Torpedo-Nexus 3-7 | option
- # Use only with Torpedo, Nexus 3-7
- *E18 set: 1919009 = 1918999+1919000

****	ADJUSTABLE HANDLE- BAR PIN (REGULOWANA SZTYCA)	SHORT HANDLE-BAR PIN (KROTKA SZTYCA)
S1	2993049: 630mm, 1004094: 830mm	2993049: 630mm, 1004094: 830mm
S2	2993049: 530mm, 1004094: 730mm	2993049: 530mm, 1004094: 730mm

EP00165 / X

MAIN FRAME 2219				Plan No.
4/4				EP00165/ X
Scale: 1:9	Drafted	Verified	Confirmed	
Date	19/05/2014	22/05/2024	22/05/2024	
Initials	AZ	GB	AZ	