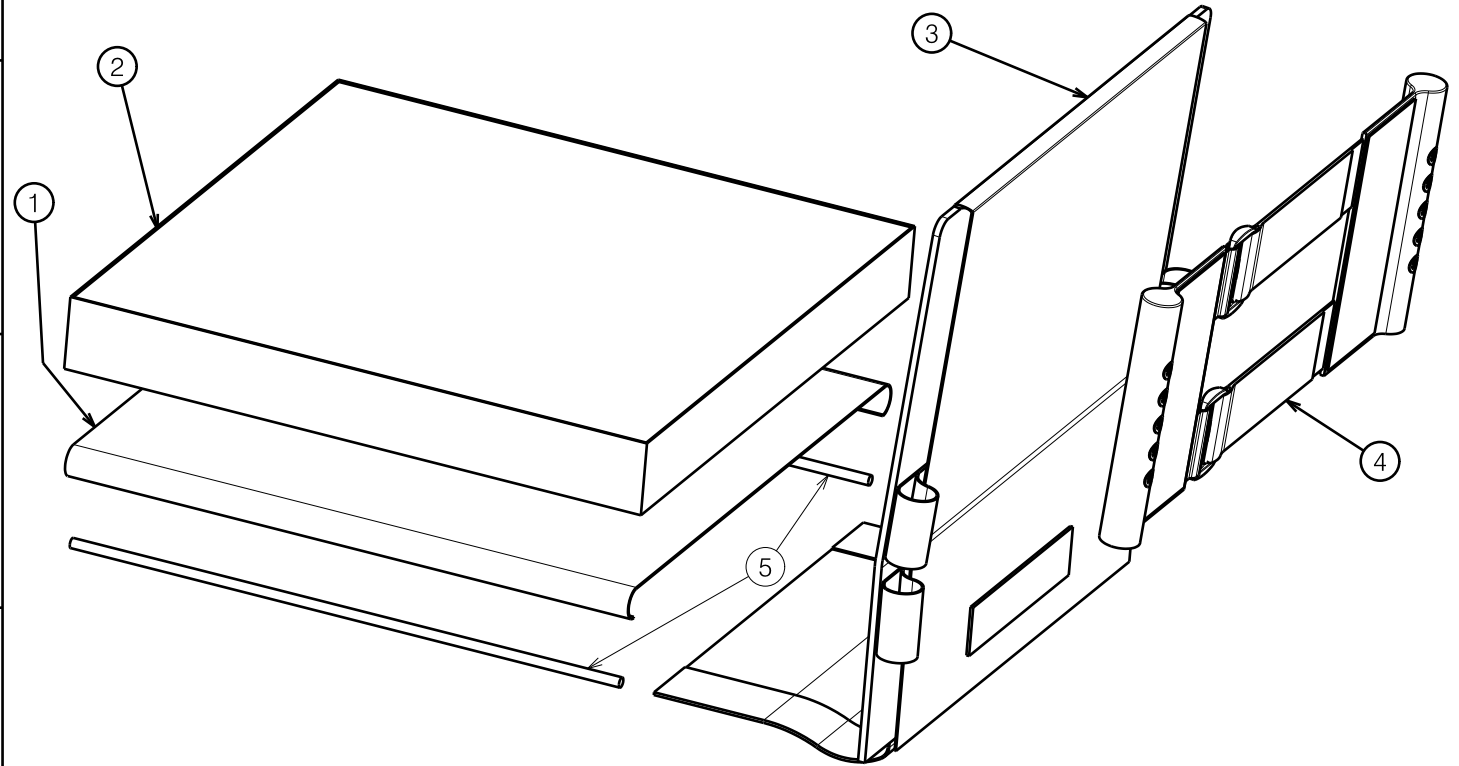


Bill of Material

No.	Plan	Article	Quantity
1	Seat sail	2997079 (39)	1
		2997080 (42)	1
		2997081 (44)	1
		2997082 (46)	1
		2997083 (48)	1
		2997084 (50)	1
2	Seat cushion B24	1921539 (39)	1
		1921540 (42)	1
		1920532 (44)	1
		1920533 (46)	1
		1920534 (48)	1
		1920535 (50)	1
3	Back cushion	1921541 (39)	1
		1921542 (42)	1
		1919740 (44)	1
		1919741 (46)	1
		1919742 (48)	1
		1919743 (50)	1
4	Backrest belt	3994650 (39)	1
		3994651 (42)	1
		3994651 (44)	1
		3994652 (46)	1
		3994652 (48)	1
		3994652 (50)	1
5	PVC rod D7mm	H001126	0,82



<b>VERSO STANDARD UPHOLSTERY</b>			
Scale: 1:4	Drafted	Verified	Confirmed
Date	13/04/2023	13/06/2024	13/06/2024
Initials	SD	SD	PJ

---
Plan No. E00057691/D_1.1
