
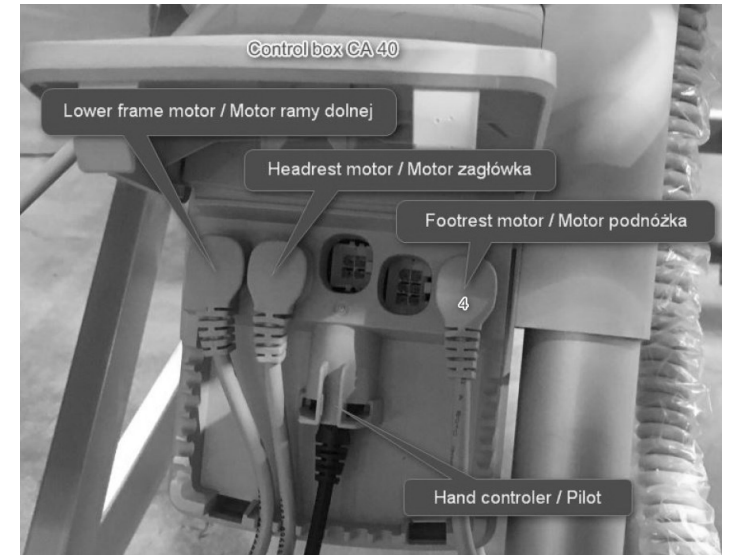
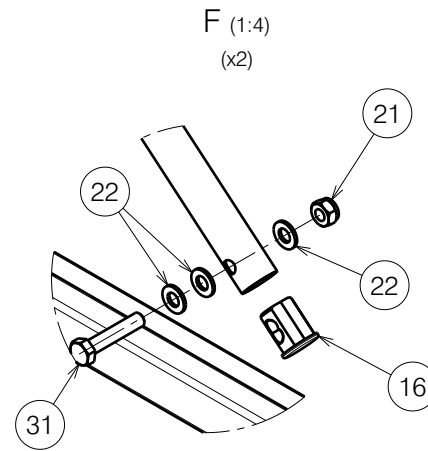
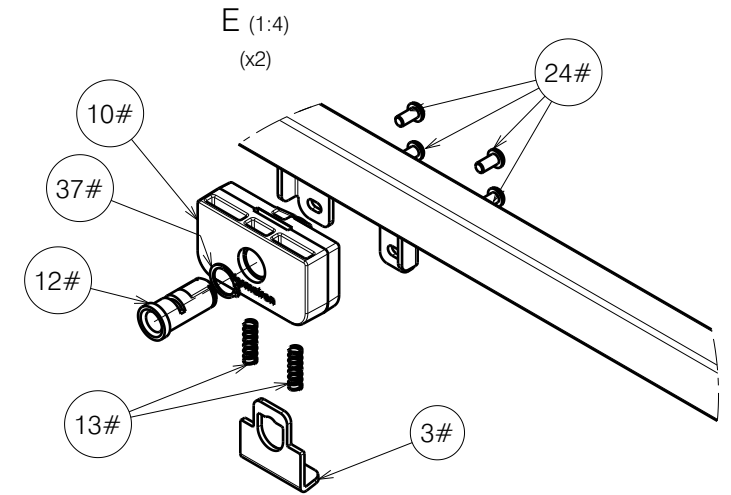
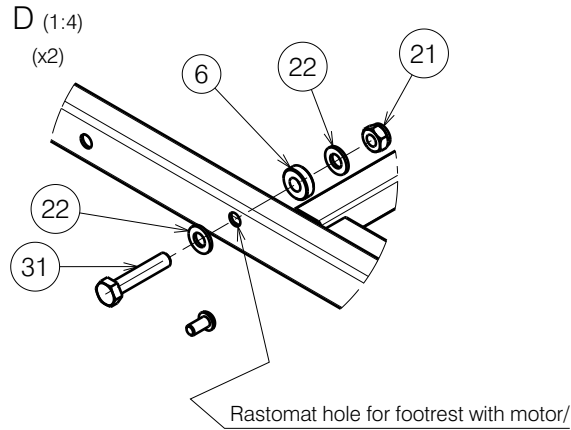


Mattress holder - way of assembly

EP00251 / L

FOOT SIDE WITH ABS PLATFORM / ILLICO				Plan No.
				1/2 EP00251/L
Scale: 1:8	Drafted	Verified	Confirmed	
Date	27/10/2017	06/05/2024	06/05/2024	
Initials	DB	PM	AZ	

Material			
No.	Plan	Article	Quantity
1	YP05880	27845	1
2	YP05884	27846	1
3#	YP08882	2629303	2
4	YP06217 / Right	2795303	1
5	YP05897 DP	27851	1
6	X004967	1908262	2
7	XP01792	2993536	1
8	XP01793	2993537	1
9	XP01794	2993538	1
10#	XP01795	2993539	2
11	D5,3 DIN 125	1000972	4
12#	XP02992	GP22400	2
13#	XP01899	GP12700	4
14	XP01906	2993600	2
15	XP01912	2993607	2
16	XP02064	2993688	2
17	Nut M5 DIN 986	1992804	2
18	XP01954	2993706	2
19	XP01975	GP13500	2
20	Nut M6 DIN 985	1001680	2
21	Nut M8 DIN 985	1001682	8+2**
22	D8,4 DIN 125	1003199	24+4**
23	M6x20	1006999	2
24#	M6x12	1007000	8
25	Velcro 25mm	1990663	0,05m
26	LA27	1903979	1
27	XP02329	2994246	1
28	M8x20	1992349	2
29	M5x40	2993786	2
30	M8x60 DIN 931	2993704	2+2**
31	M8x40 DIN 931	2993705	4
32	Pen D10x50	1998885	2
33	Tube Cap 30x20	1997922	2
34	Tube Cap 20x20	1001612	2
35	Wheel D29	2993761	2
36	Rastomat	1909002	2
37#	DIN 471 15,7-1mm	2993606	2
38	YP06216 / Left	2784803	1
39	SterKnop M8x20	2993800	2
40	Nylon rivet	1990752	2
41	Cap Rubber 8mm	1001637	2
42*	Motor Cable	1912902	1
43*	Label "4" for cable	1995838	1
44*	XP01997	2993909	2**



* - Not depicted.

** - Pack with the remote control in a string bag.

- Use only with metal side rails (EP00256 & EP00257),

Do not use with wooden bars (EP00280) and SSR (EP00493).

FOOT SIDE WITH ABS PLATFORM / ILLICO

2/2 EP00251 / L

Scale: 1:8

Drafted

Verified

Confirmed

Date

27/10/2017

06/05/2024

06/05/2024

Initials

DB

PM

AZ



EP00251 / L

Plan No.