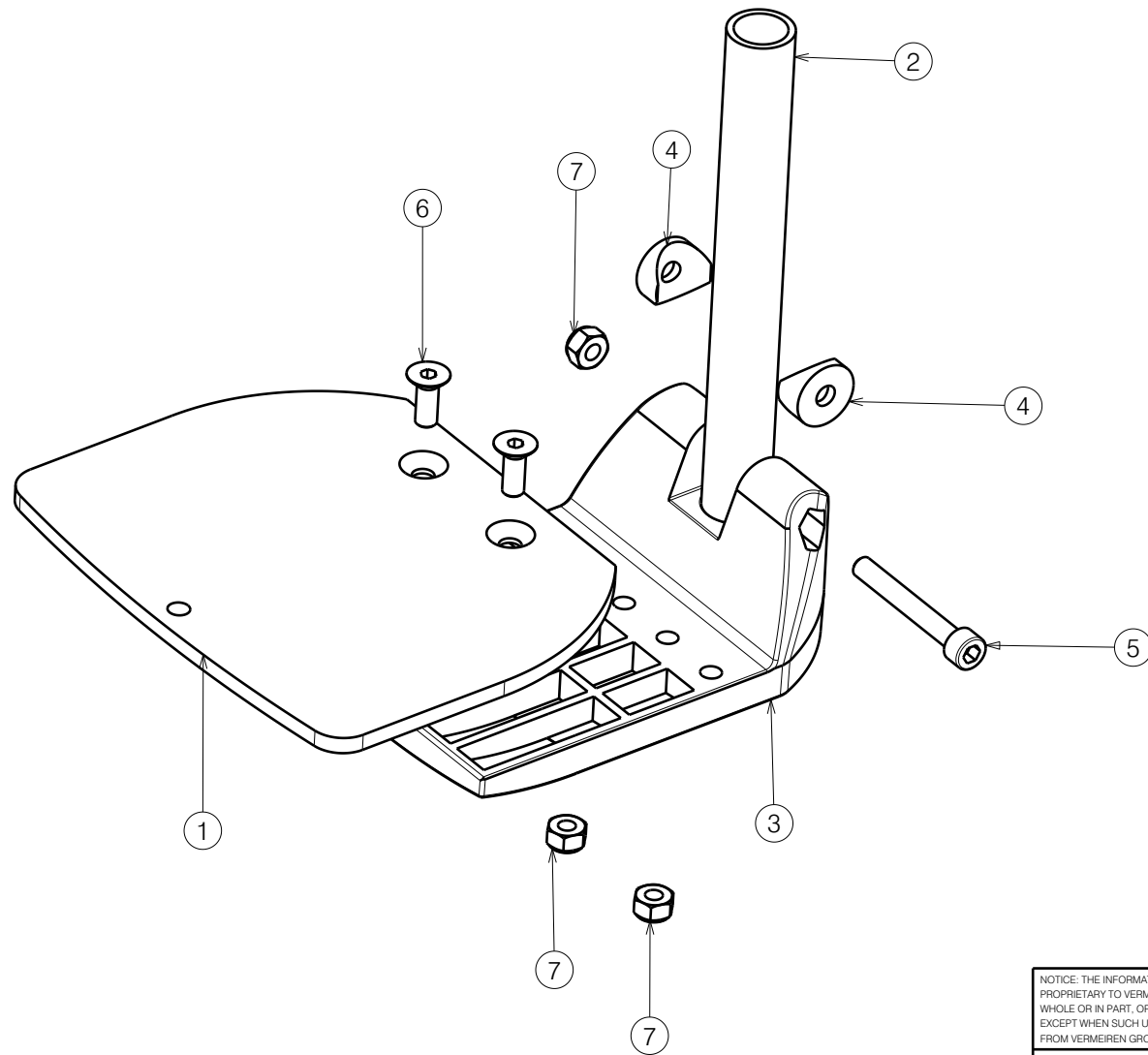


Bill of Material

No.	Plan	Article	Quantity
1	P00085982	2691254 (36),(30)	1
	Y005844	1547154 (38-40),(32-34)	1
	P00030402	2649654 (42-48)	1
2	P00071227	26831	1
3	XP00007	2990000	1
4	X000586	1005742	2
5	M6x45 DIN912	1003109	1
6	M6x16 DIN7991	1994752	2
7	Nut M6	1001680	3



NOTICE: THE INFORMATION CONTAINED ON THIS DRAWING IS PROPRIETARY TO VERMEIREN GROUP AND SHALL NOT BE DISCLOSED IN WHOLE OR IN PART, OR USED FOR ANY DESIGN OR MANUFACTURE, EXCEPT WHEN SUCH USER POSSESSES DIRECT WRITTEN AUTHORISATION FROM VERMEIREN GROUP.

<p style="text-align: center; font-size: 1.2em;">SPLIT FOOTREST SAGITTA</p>				--
				Plan No. E00086765/A.1
Scale: 1:2	Drafted	Verified	Confirmed	
Date	2024-07-30	30/07/2024	30/07/2024	
Initials	AS	AZ	AS	