

NOTICE: THE INFORMATION CONTAINED ON THIS DRAWING IS PROPRIETARY TO VERMEIREN GROUP AND SHALL NOT BE DISCLOSED IN WHOLE OR IN PART, OR USED FOR ANY DESIGN OR MANUFACTURE, EXCEPT WHEN SUCH USER POSSESSES DIRECT WRITTEN AUTHORISATION FROM VERMEIREN GROUP.

Sheet 4/4

2996072

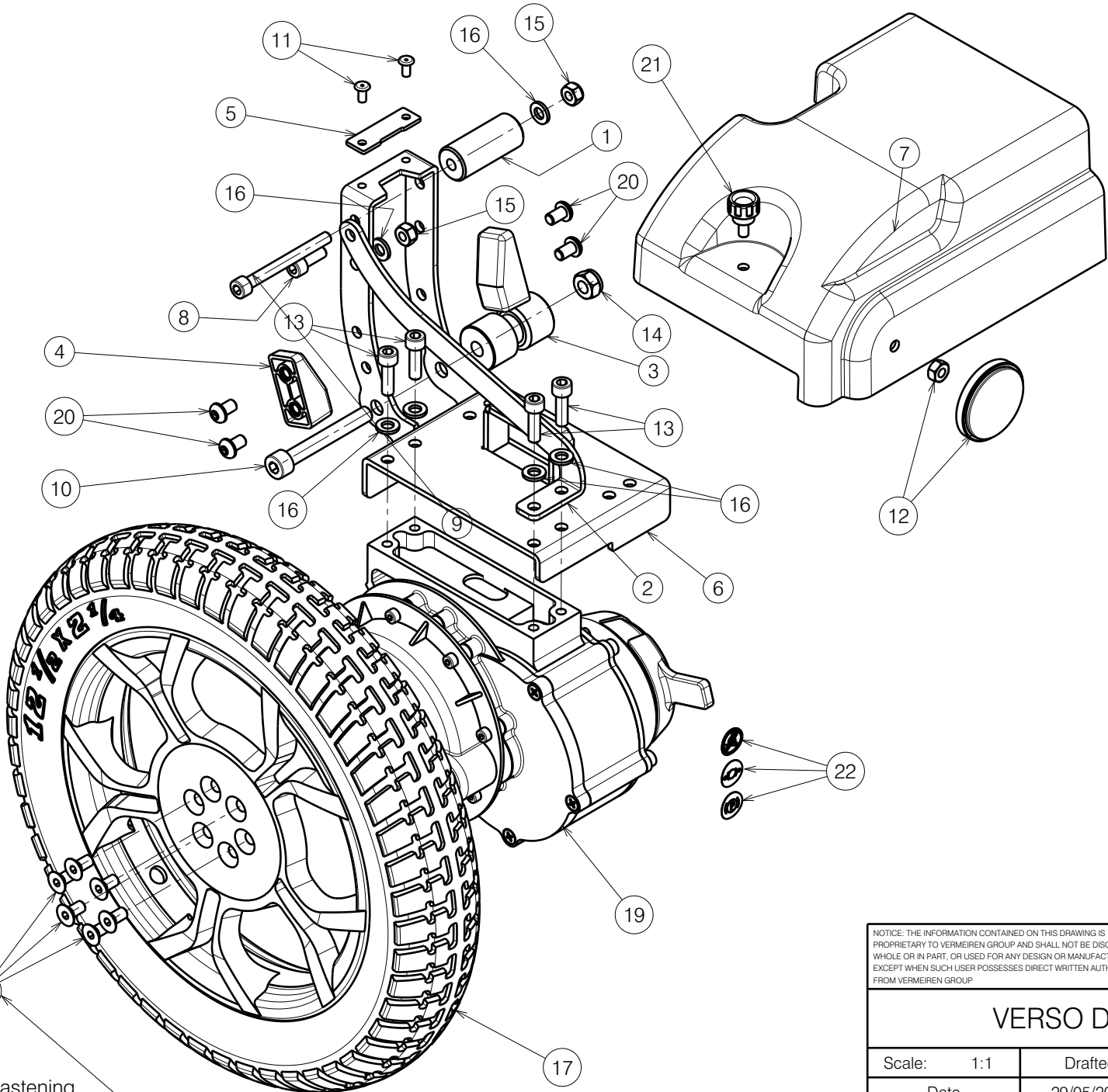
VERSO DRIVE TRAIN 39 - 42

Plan No.

E00082136/C1.1

| | | | | |
|----------|------------|------------|------------|-----------|
| Scale: | 1:1 | Drafted | Verified | Confirmed |
| Date | 29/05/2024 | 10/09/2024 | 10/09/2024 | |
| Initials | SD | PM | MK | |





18
Fastening
Torque 10 Nm

Glue with Weiconlock AN 302-43

NOTICE: THE INFORMATION CONTAINED ON THIS DRAWING IS PROPRIETARY TO VERMEIREN GROUP AND SHALL NOT BE DISCLOSED IN WHOLE OR IN PART, OR USED FOR ANY DESIGN OR MANUFACTURE, EXCEPT WHEN SUCH USER POSSESSES DIRECT WRITTEN AUTHORISATION FROM VERMEIREN GROUP.

Sheet 4/4

2996072

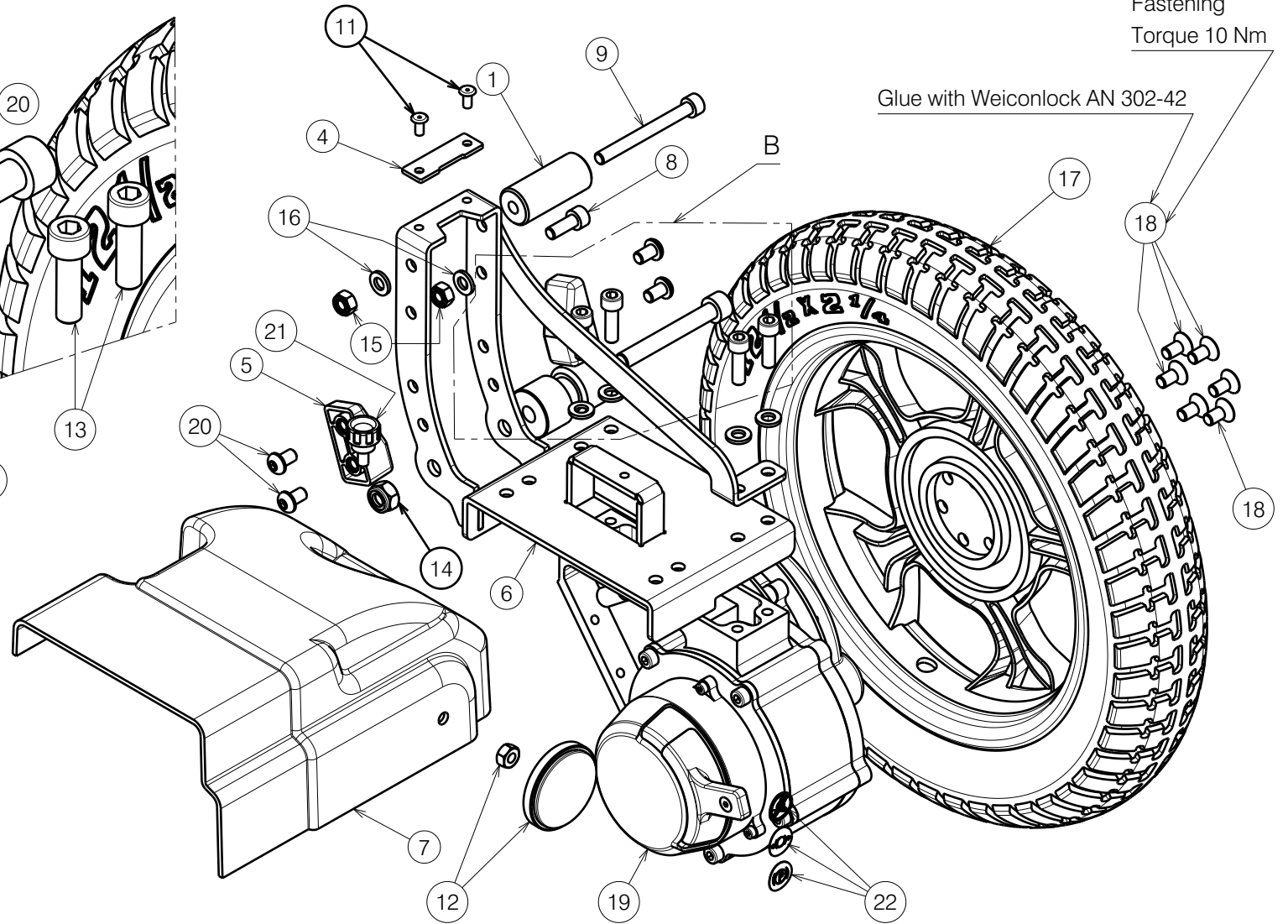
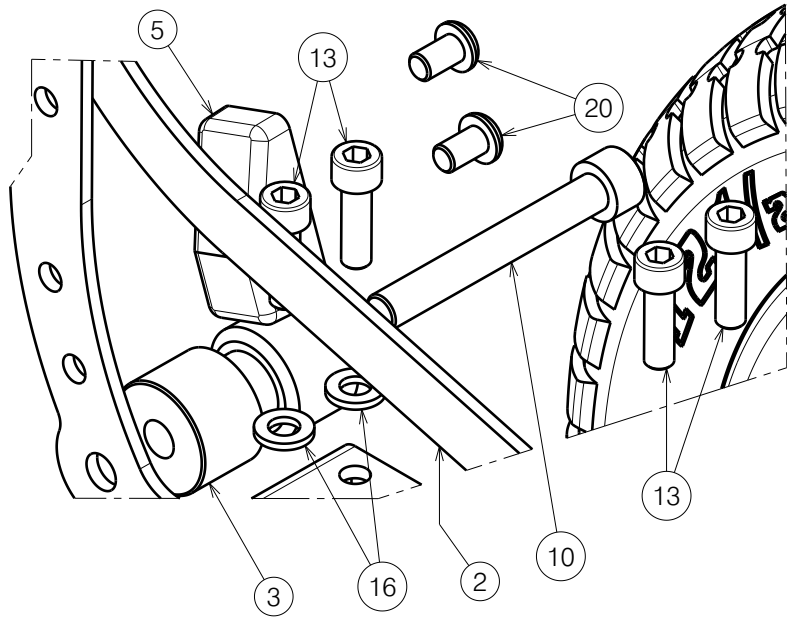
VERSO DRIVE TRAIN 39 - 42

Plan No.
E00082136/C1.1

| | | | | |
|----------|------------|------------|------------|-----------|
| Scale: | 1:1 | Drafted | Verified | Confirmed |
| Date | 29/05/2024 | 10/09/2024 | 10/09/2024 | |
| Initials | SD | PM | MK | |



Detail View B (2:3)



NOTICE: THE INFORMATION CONTAINED ON THIS DRAWING IS PROPRIETARY TO VERMEIREN GROUP AND SHALL NOT BE DISCLOSED IN WHOLE OR IN PART, OR USED FOR ANY DESIGN OR MANUFACTURE, EXCEPT WHEN SUCH USER POSSESSES DIRECT WRITTEN AUTHORISATION FROM VERMEIREN GROUP.

Sheet 4/4

2996072

VERSO DRIVE TRAIN 39 - 42

Plan No.

E00082136/C1.1

| | | | | |
|----------|------------|------------|------------|-----------|
| Scale: | 1:1 | Drafted | Verified | Confirmed |
| Date | 29/05/2024 | 10/09/2024 | 10/09/2024 | |
| Initials | SD | PM | MK | |



| Material Sheet 1/4 | | | |
|--------------------|-----------------|---------|-----|
| No. | Plan | Article | Qty |
| 1A | --- | 1918833 | 1 |
| 1B | 24V / 12.8 Ah | 1918834 | 1 |
| | 24V / 17.5 Ah | 1919283 | 1 |
| 2 | P00050295 | G104000 | 2 |
| 3 | P00053246 | 20863.. | 1 |
| 4 | P00079023 | 2091465 | 1 |
| 5 | P00079145 | 2091765 | 1 |
| 6 | X004747 | 1906057 | 4 |
| 7 | 20X20 | 1001612 | 2 |
| 8 | M6x30 DIN912 | 1915911 | 4 |
| 9 | nVR2 | 1919238 | 1 |
| 10 | nVR2 | 1919240 | 1 |
| 11 | M8x12 | 1999934 | 1 |
| 12 | M5x35 ISO7380 | 2993601 | 2 |
| 13 | M5 DIN985 | 2994006 | 2 |
| 14 | M6 DIN985 | 2994063 | 4 |
| 15 | M5 DIN125 A | 2994069 | 12 |
| 16 | M5x12 ISO7380 | 2994074 | 4 |
| 17 | D4.2x10 DIN7981 | 3991106 | 6 |
| 18 | M6x12 ISO7380 | 3992768 | 4 |

| Material Sheet 2/4 | | | |
|--------------------|---------------|---------|-----|
| No. | Plan | Article | Qty |
| 1 | P00020371 | G104100 | 1 |
| 2 | P00043092 | 2084865 | 1 |
| 3 | P00043097 | G104200 | 1 |
| 4 | P00053698 | 1919598 | 2 |
| 5 | P00057696 | 2086600 | 1 |
| 6 | P00079033 | 2091565 | 1 |
| 7 | P00080982 | 1921508 | 1 |
| 8 | M6x16 DIN912 | 2994065 | 1 |
| 9 | M6x60 DIN912 | 2995262 | 1 |
| 10 | M8x60 DIN912 | 1915946 | 1 |
| 11 | D4x8 DIN7337A | 2995886 | 2 |
| 12 | D40 M6x12 | 1919548 | 1 |
| 13 | M6x20 DIN912 | 2994004 | 4 |
| 14 | M8 DIN985 | 1996213 | 1 |
| 15 | M6 DIN985 | 2994063 | 2 |
| 16 | M6 DIN125 | 2994068 | 6 |
| 17 | XC01089 (PU) | 3994671 | 1 |
| | Air Left | 3994722 | 1 |
| 18 | M6x12 DIN7991 | 3994672 | 6 |
| 19 | Left 250W | 3994669 | 1 |
| 20 | M6x10 ISO7380 | 2994127 | 4 |
| 21 | M5x10 | 1911896 | 1 |
| 22 | --- | 1995235 | 1 |

| Material Sheet 3/4 | | | |
|--------------------|---------------|---------|-----|
| No. | Plan | Article | Qty |
| 1 | P00020371 | G104100 | 1 |
| 2 | P00020866 | 2084965 | 1 |
| 3 | P00043097 | G104200 | 1 |
| 4 | P00057696 | 2086600 | 1 |
| 5 | P00053698 | 1919598 | 2 |
| 6 | P00079027 | 2091665 | 1 |
| 7 | P00080981 | 1921509 | 1 |
| 8 | M6x16 DIN912 | 2994065 | 1 |
| 9 | M6x60 DIN912 | 2995262 | 1 |
| 10 | M8x60 DIN912 | 1915946 | 1 |
| 11 | D4x8 DIN7337A | 2995886 | 2 |
| 12 | D40 M6x12 | 1919548 | 1 |
| 13 | M6x20 DIN912 | 2994004 | 4 |
| 14 | M8 DIN985 | 1996213 | 1 |
| 15 | M6 DIN985 | 2994063 | 2 |
| 16 | M6 DIN125 | 2994068 | 6 |
| 17 | XC01089 (PU) | 3994671 | 1 |
| | Air Right | 3994723 | 1 |
| 18 | M6x12 DIN7991 | 3994672 | 6 |
| 19 | Right 250W | 3994670 | 1 |
| 20 | M6x10 ISO7380 | 2994127 | 4 |
| 21 | M5x10 | 1911896 | 1 |
| 22 | --- | 1995235 | 1 |

NOTICE: THE INFORMATION CONTAINED ON THIS DRAWING IS PROPRIETARY TO VERMEIREN GROUP AND SHALL NOT BE DISCLOSED IN WHOLE OR IN PART, OR USED FOR ANY DESIGN OR MANUFACTURE, EXCEPT WHEN SUCH USER POSSESSES DIRECT WRITTEN AUTHORISATION FROM VERMEIREN GROUP.

Sheet 4/4

2996072

VERSO DRIVE TRAIN 39 - 42

Plan No.

E00082136/C1.1

| | | | |
|------------|------------|------------|------------|
| Scale: 1:1 | Drafted | Verified | Confirmed |
| Date | 29/05/2024 | 10/09/2024 | 10/09/2024 |
| Initials | SD | PM | MK |

