
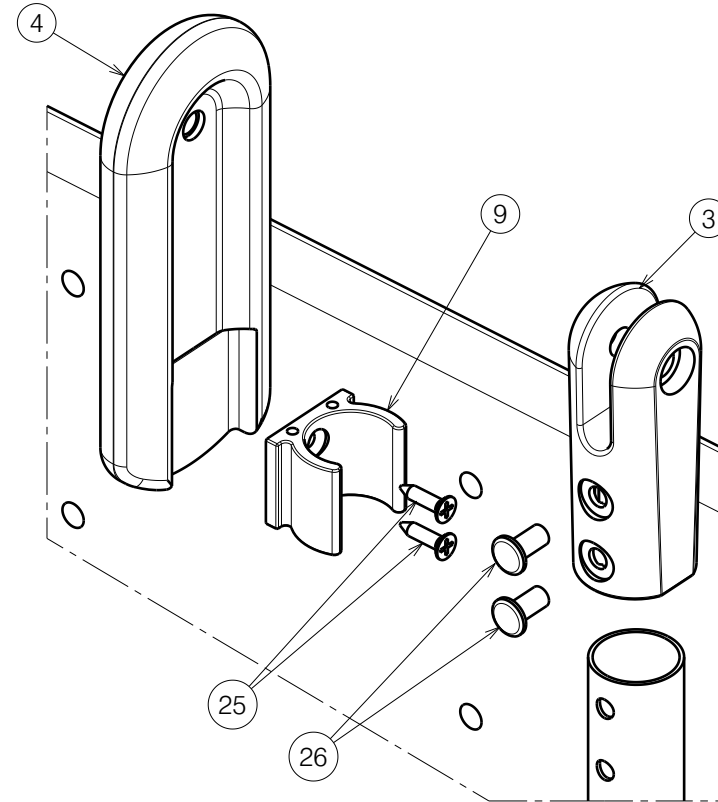



FOOT REST ALTITUDE / CORAILLE 2008				Plan No.
				E000414/I
Scale: 1:5	Drafted	Verified	Confirmed	
Date	12/12/2007	10/05/2024	10/05/2024	
Init.	SD	AZ	PJ	

Material			
No.	Plan	Article	Quantity
1	X001016	1001682	6
2	X003478	1998374	1
3	X003492	1900607	2
4	X003793	1900442	2
5	X003903	1901170	1
6	X003913	1901654	1
7	X003915	1683782	1
8	X004034	1683600	2
9	XP00106	2990072	2
10	XP00144	1894000	1
11	XP02065	HP00357	1
12	X004730	1735800	1
13	Y012126	1677700	1
14	Y012953	1678182	1
15	X003878	1677500	1
16	X004002	1677600	1
17	Y013065	1678300	1
18	M6 DIN125	1001564	7
19	M8x35 DIN7984	1003067	2
20	M8 DIN125	1003199	4
21	HV8X30	1005860	1
22	M6x25 ISO7380	1006998	2
23	M8x50 DIN912	1007517	2
24	M8x40 ISO7380	1008739	2
25	D3.9x16 DIN7982	1005767	4
26	D6	1992835	8
27	M8x35 ISO7380	1993236	2
29	M6x16 ISO7380	1008459	4
30	D22	1990648	2
31	Y012876	1715182	2
32	XP00567	1894100	1
33	X002169	1992791	1
34	M6x50 ISO7380	1006997	1
36	M6 DIN985	1001680	1



Detail A  
Scale 1:2

FOOT REST ALTITUDE / CORAILLE 2008				Plan No.
				E000414 / I
Scale: 1:5	Drafted	Verified	Confirmed	
Date	12/12/2007	10/05/2024	10/05/2024	
Init.	SD	AZ	PJ	